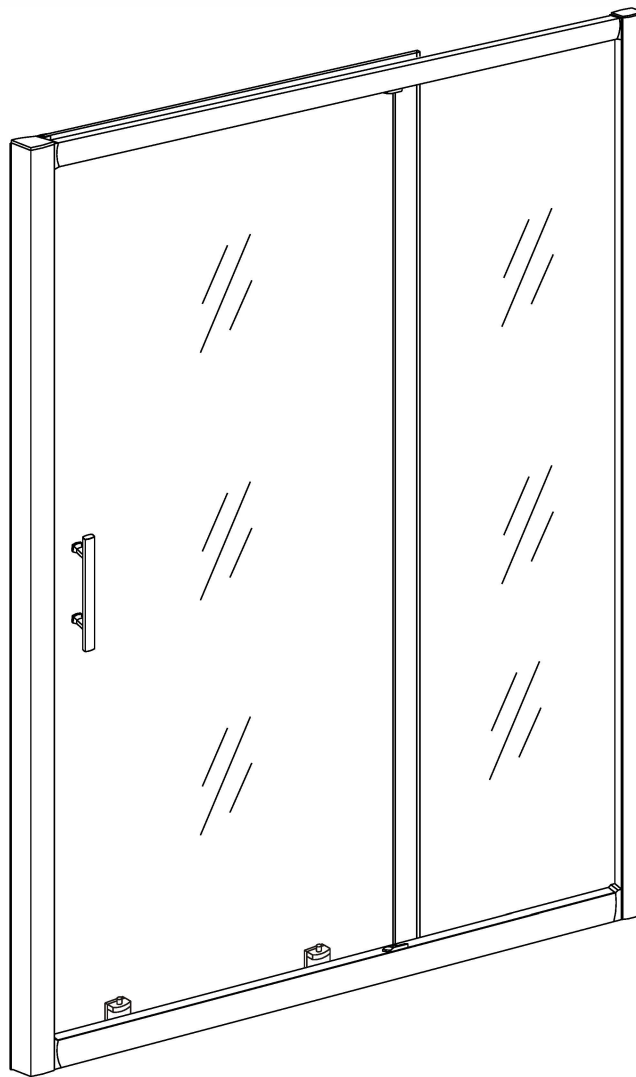
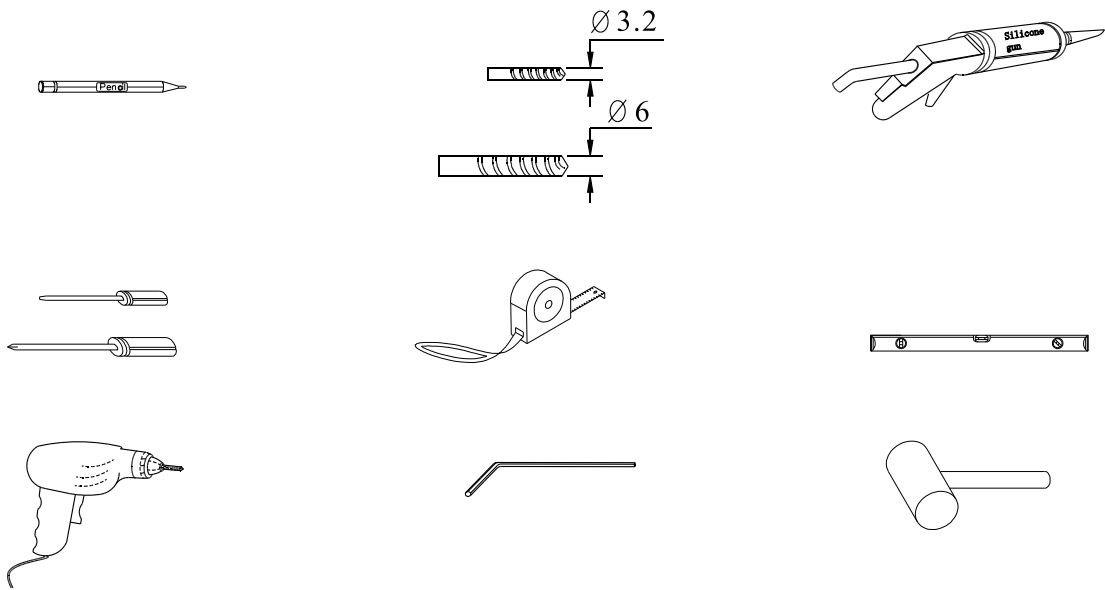


# INSTALLATION MANUAL

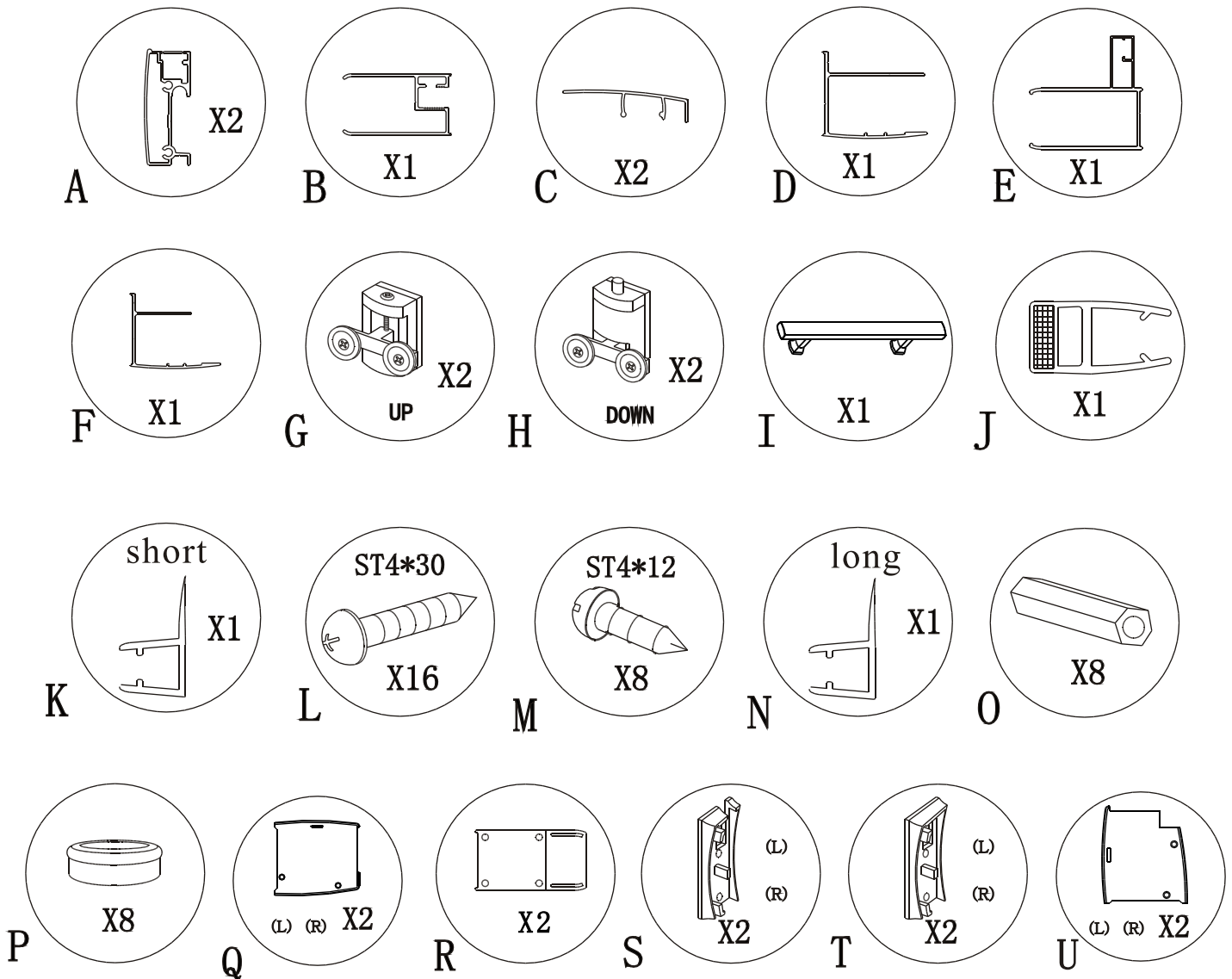
Eastbrook Code	Adjustment	Eastbrook Code	Adjustment
58.204	970-1000	58.201	1470-1500
58.205	1070-1100	58.202	1570-1600
58.206	1170-1200	58.203	1670-1700
58.200	1270-1300	58.208	1770-1800
58.207	1370-1400		



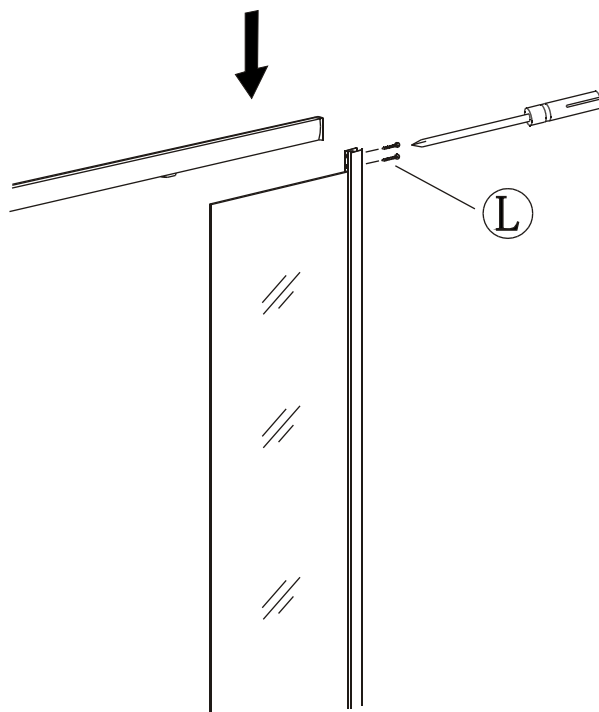
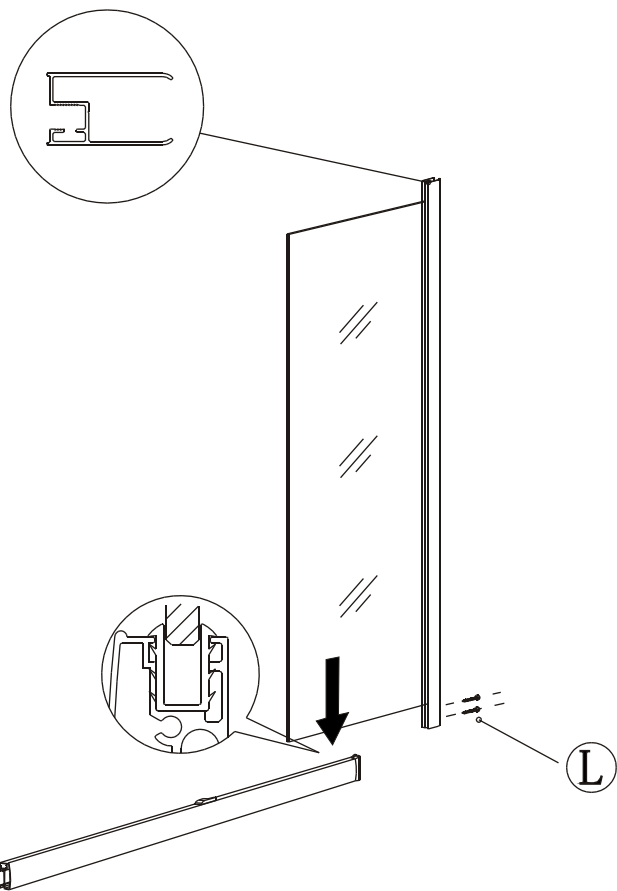
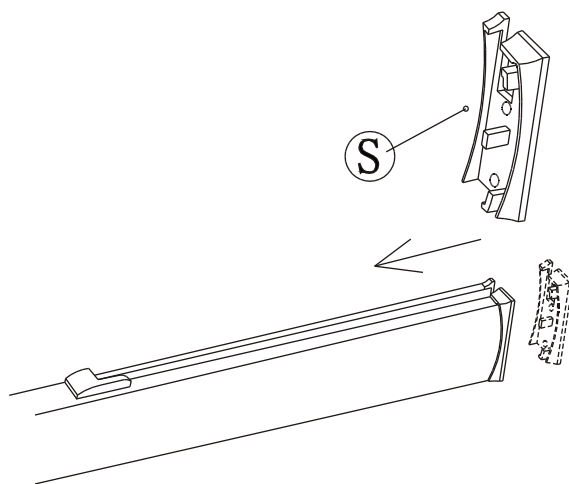
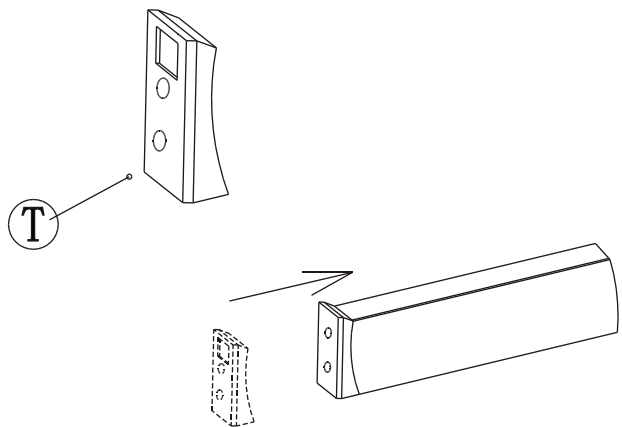
# TOOLS REQUIRED



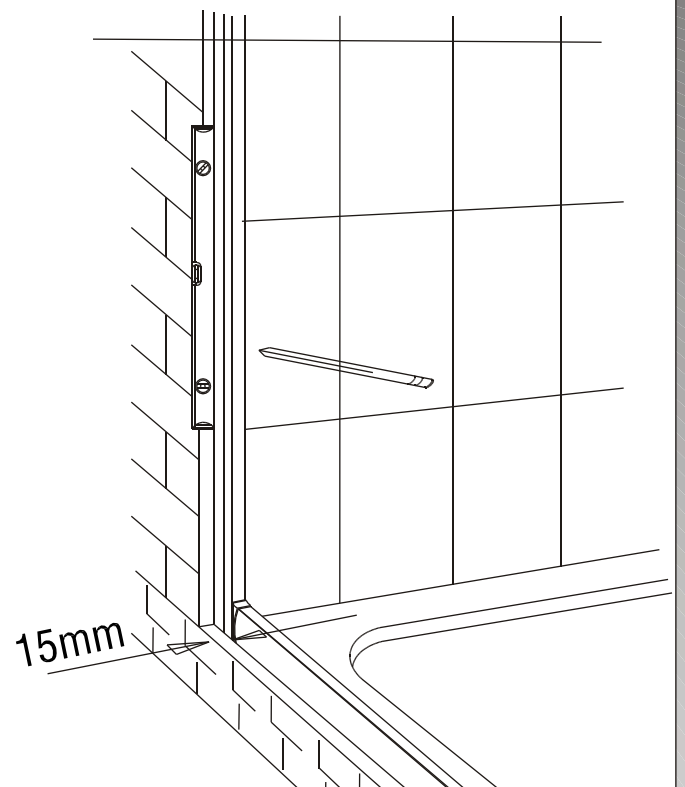
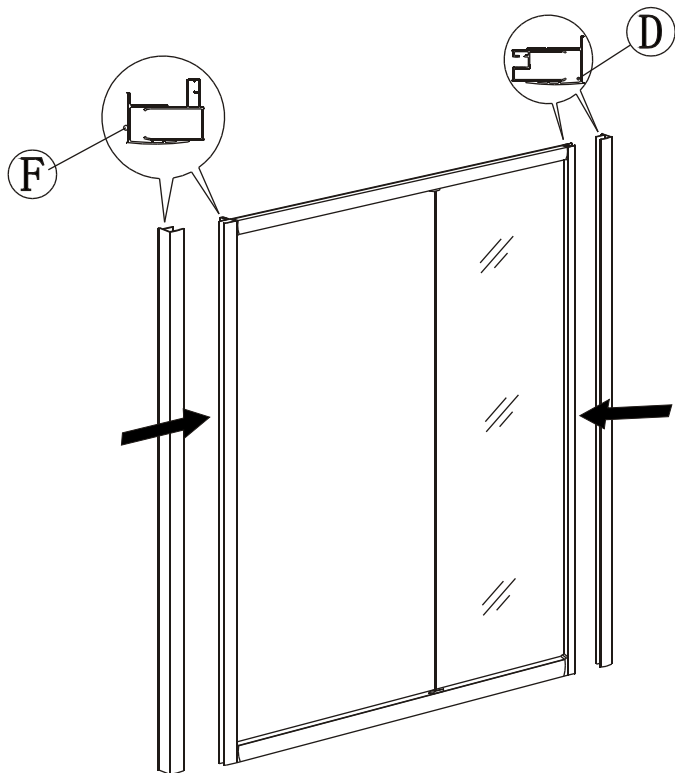
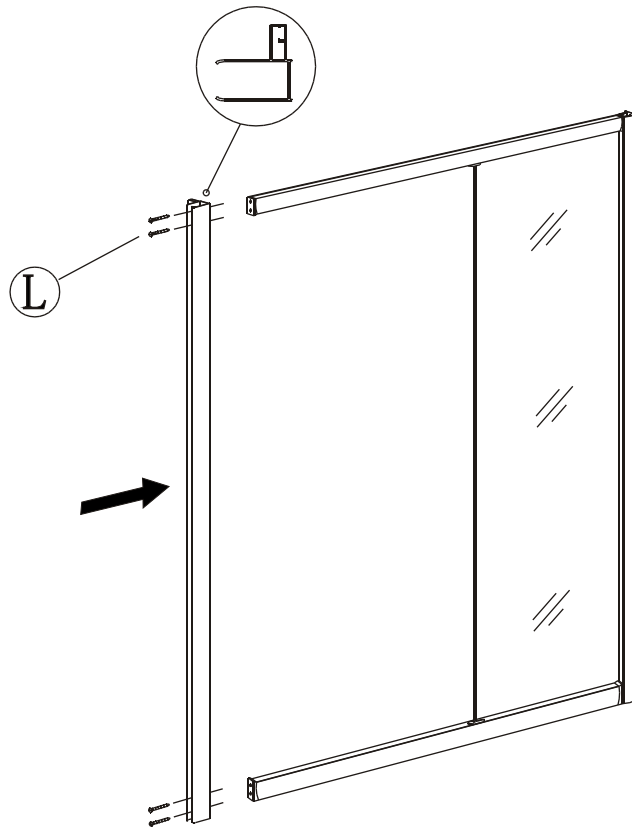
# PACKING LIST



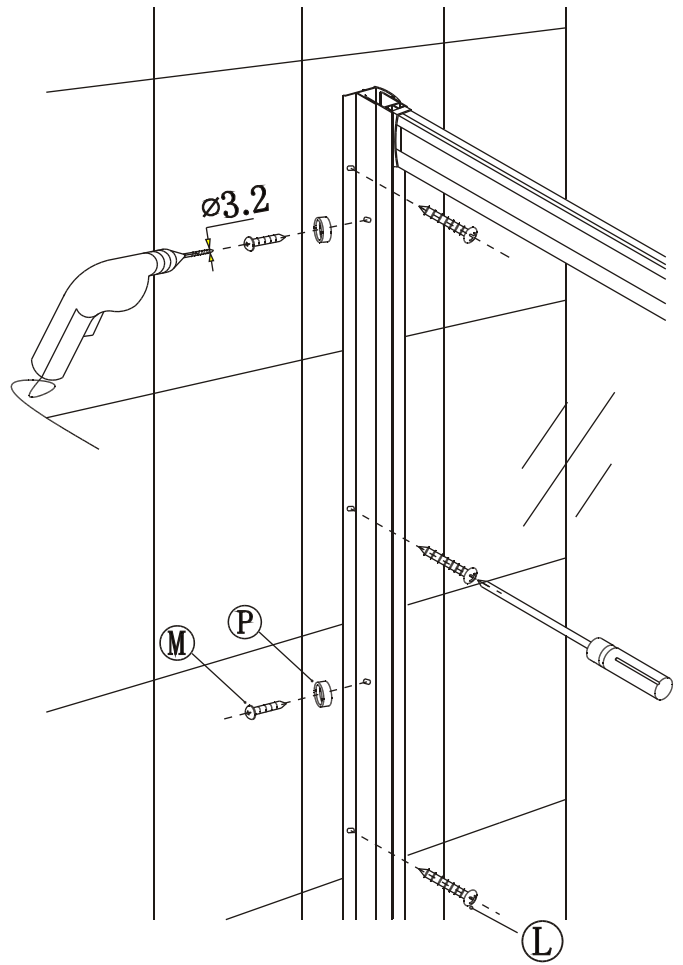
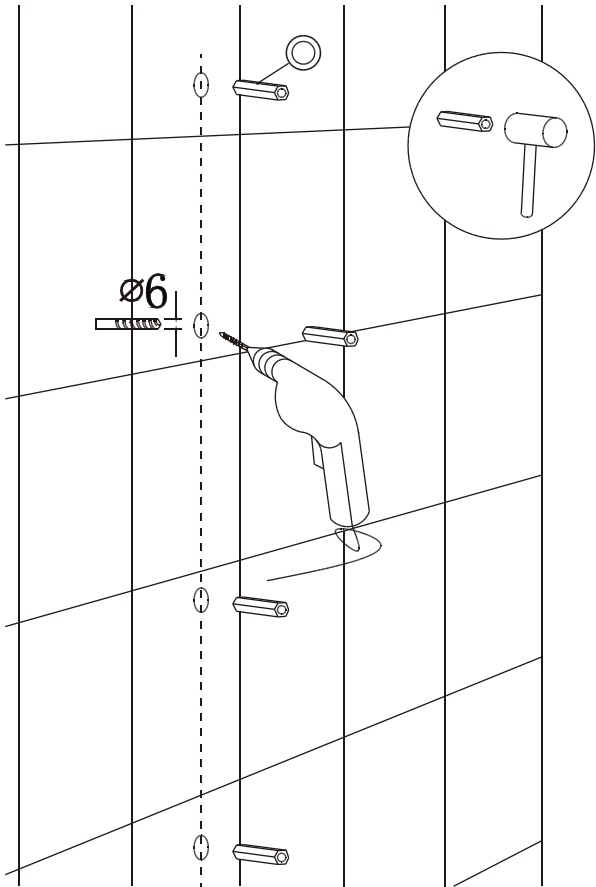




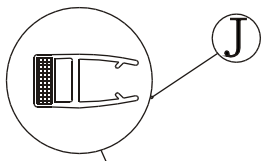
(1)



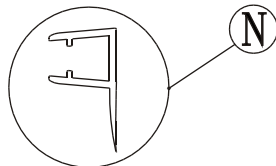
(2)



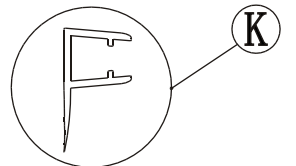
(3)



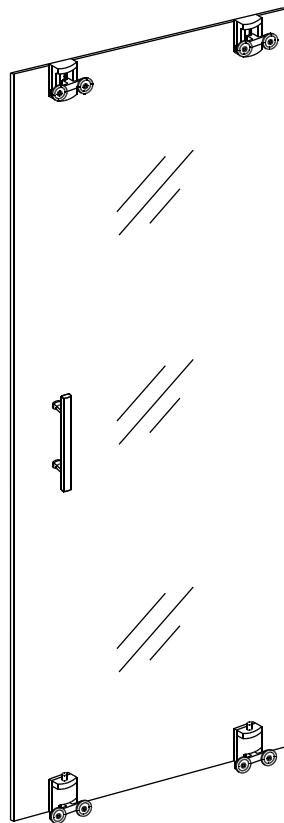
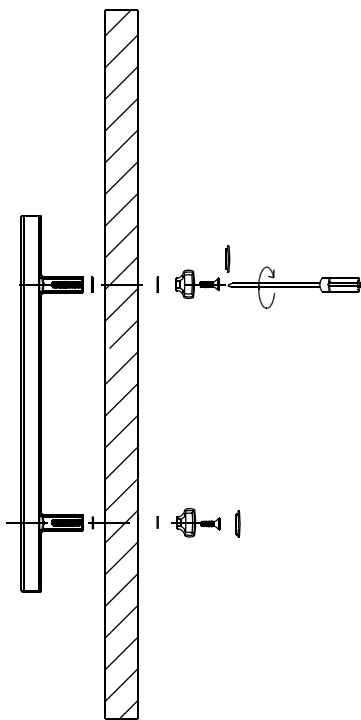
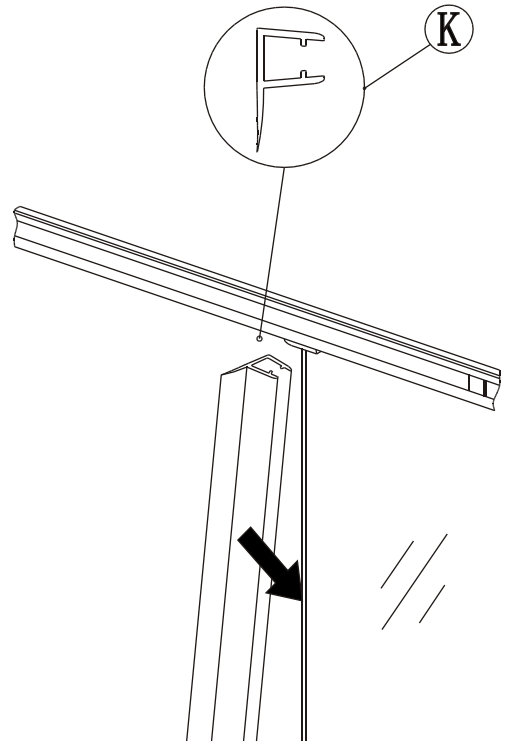
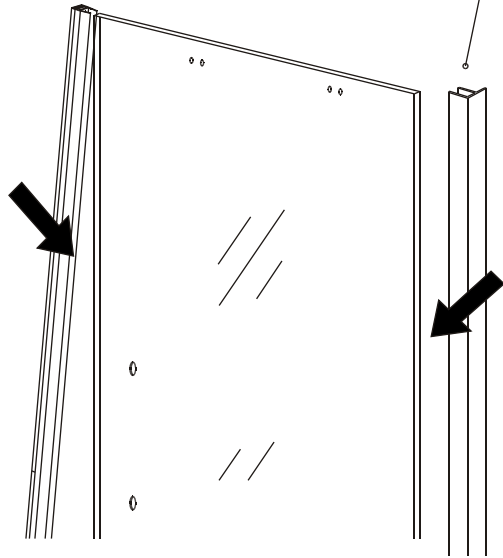
J



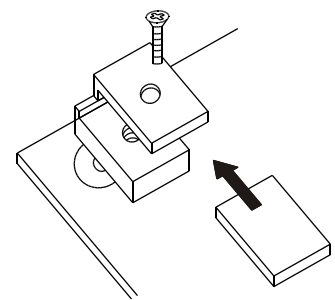
N



K

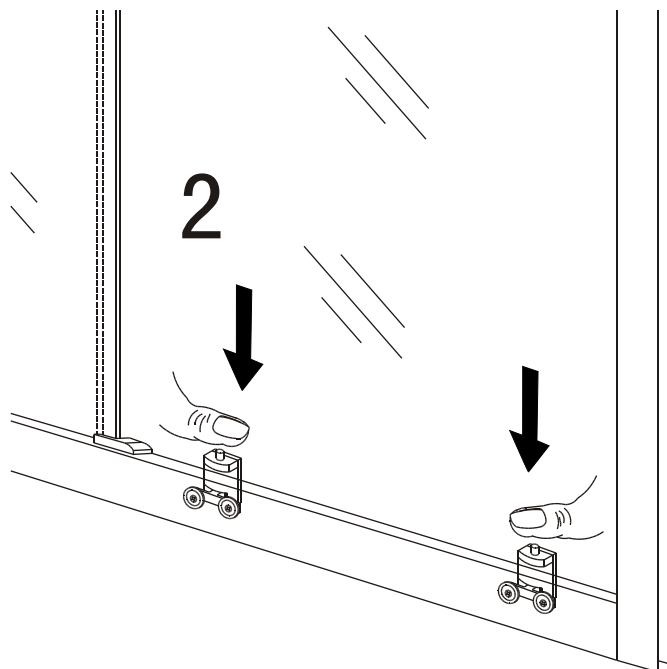
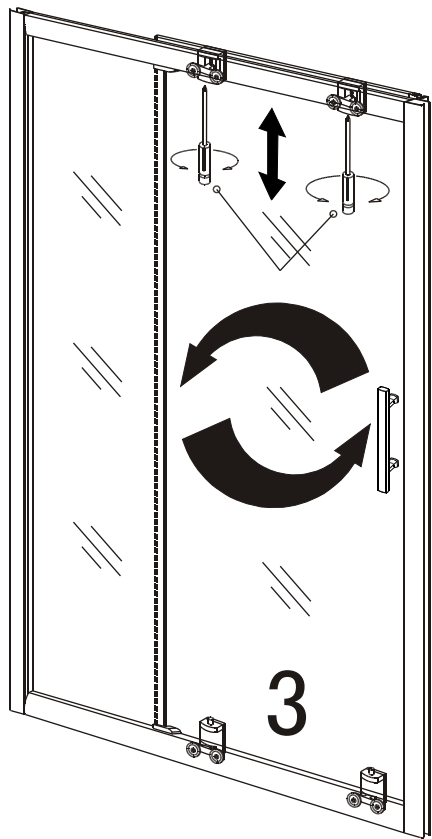
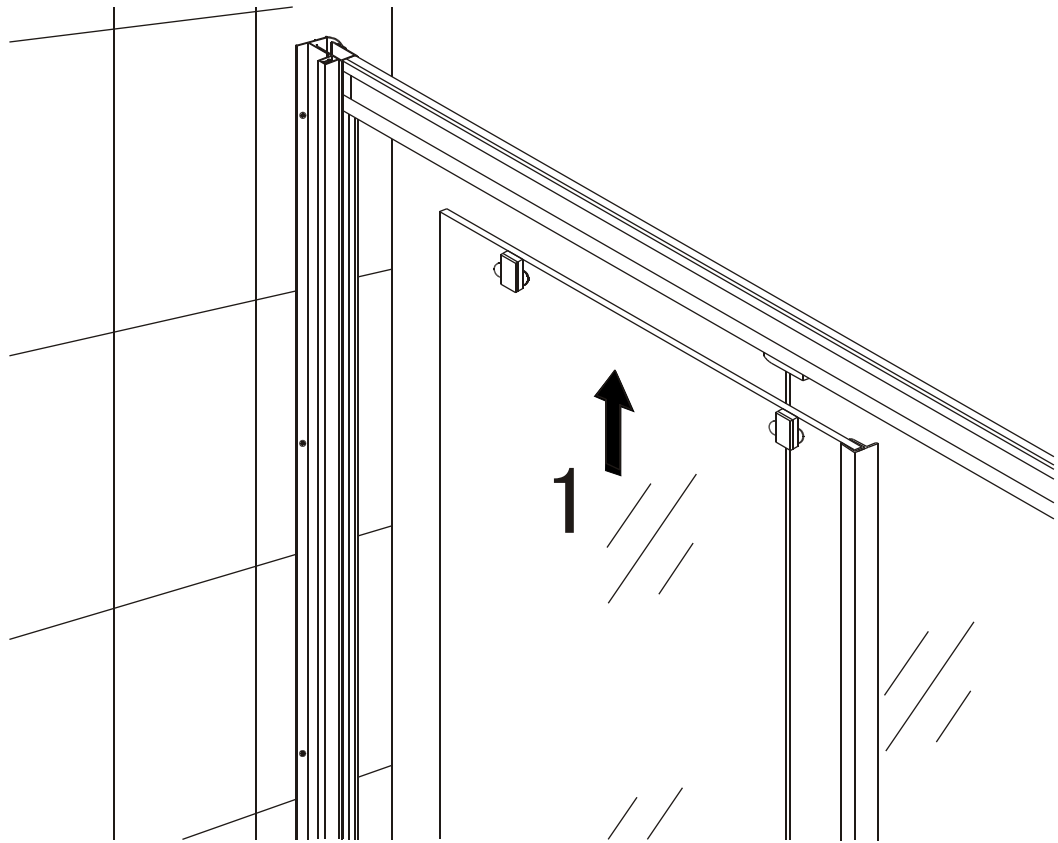


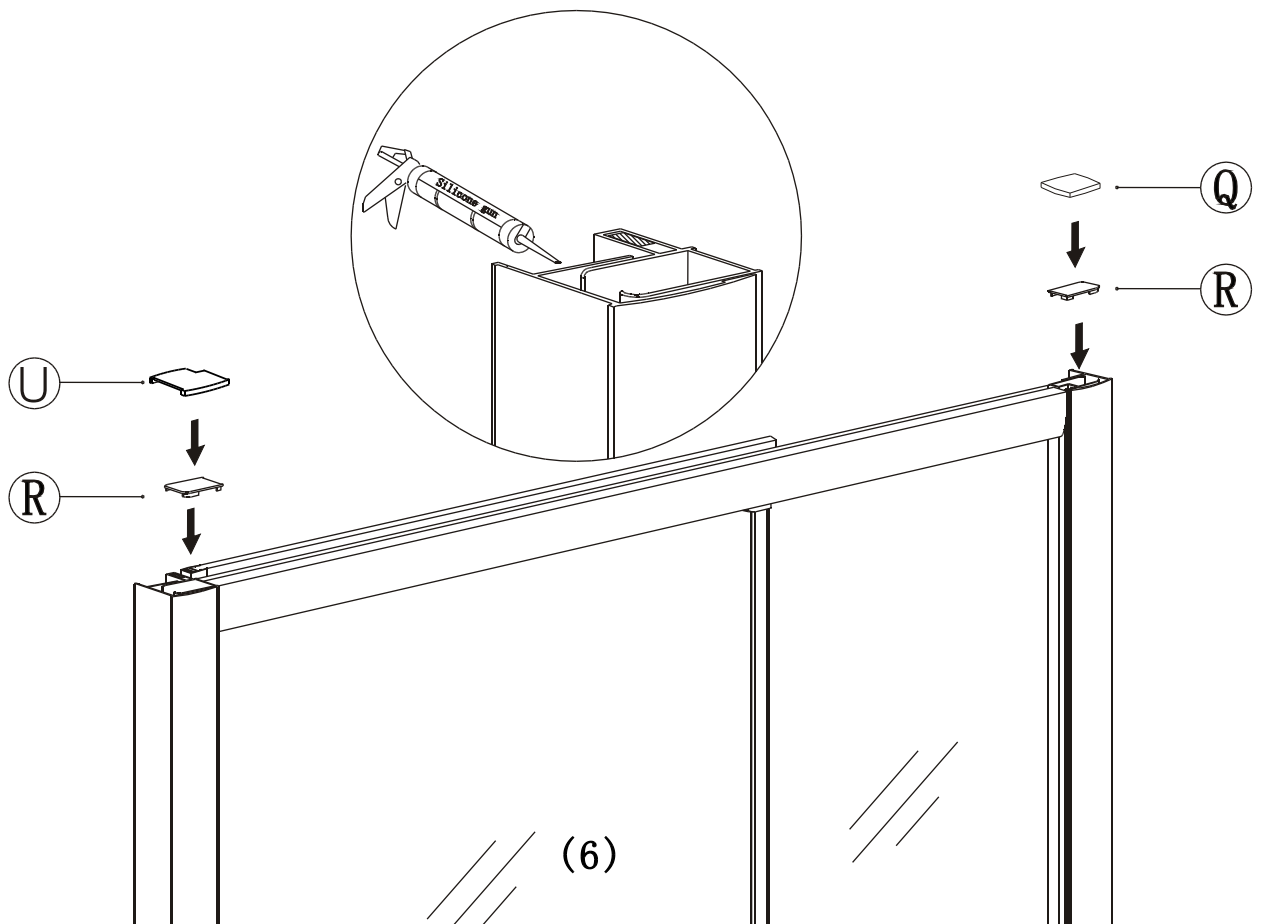
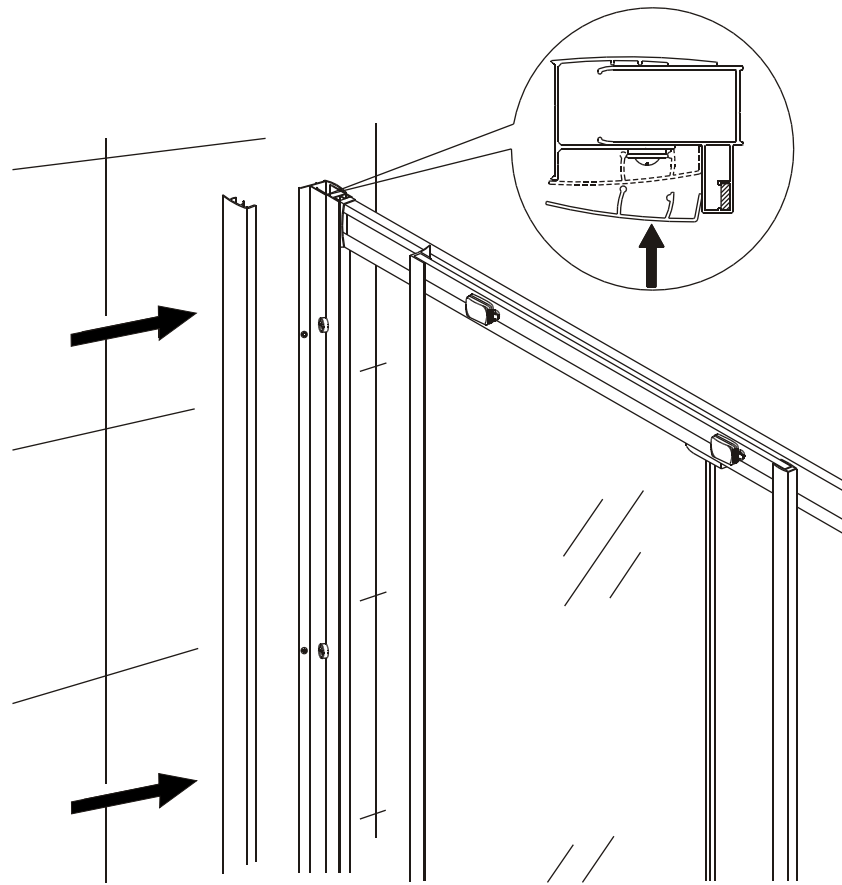
UP

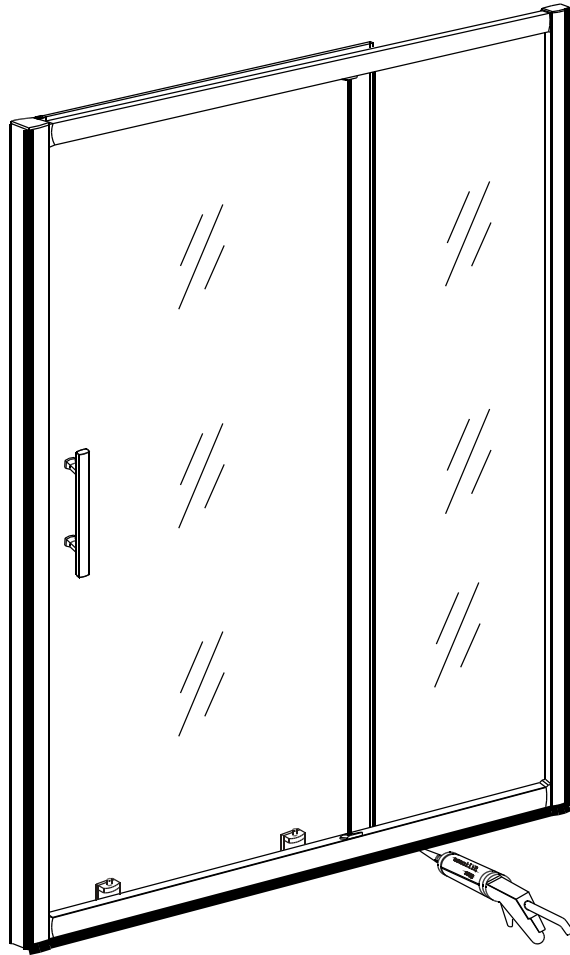


DOWN

(4)







Please ensure silicone sealant is on the outside only.

## **Cleaning & Maintenance**

Don't clean the shower enclosure with irritant detergent such as alcohol, bleach or other chemical cleaners.

Only clean with warm soapy water.

After the installation is completed, should you find that there is notable noise when the glass door moves, you may add a small quantity of lubricant onto the roller wheel, slipping hook and the track.

Helpline: 01452 317890

(7)